

Product Specification

Product Name: Motor Optical Switch

Model: 7202-1*4L-R

File Number: SPEC0015AE1

Version: A0

Issuing Date: 2024/10/22

Specification Revision Record

Date	Version	Page	Revision description	Prepared	Approved
24/10/22	A0	4	First release	Wenhui.hu	Yong.shi

② Features Product Description

Optical switch is a kind of functional component, with the ability of switching optical route. In optical fiber transmission system, it is used for multi-channel fiber monitoring, multi light source/ detector selection, and optical fiber path protection etc. Besides, it is also used in optical fiber test system for optical fiber and its component test, outdoor cable test and multi-spot optical sensors monitoring system.

② Features

- 1.Low Loss and High Reliability
- 2.RS232 Interface
- 3.Modularized Design
- 4.Epoxy-free on Optical Path



② Applications

- 1.Ring Network
- 2.Remote Monitoring in Optical Network
- 3.Testing of Fiber, Optical Component

② Specifications

Parameters	Unit	OSW1*4	
Insertion Loss ^{1,2}	dB	≤ 1.0	
Wavelength Range	nm	850±40 / 1300±40,MM	1260 ~ 1650 SM
Test Wavelength	nm	850 / 1300,MM	1310 / 1550 SM
Return Loss	dB	MM ≥ 30	SM ≥ 50
Crosstalk	dB	≥ 70	
PDL	dB	≤ 0.05	
WDL	dB	≤ 0.25	
TDL	dB	≤ 0.25	
Repeatability	dB	≤ ±0.05	
Durability	Cycles	≥ 10 Million	
Switching Time	ms	≤ 10(Sequence switch time of adjacent channel)	
Optical Power	mW	≤500	
Operating Temperature	°C	-5 ~ +70	
Storage Temperature	°C	-40 ~ +85	
Relative Humidity	%	5 ~ 95	
Dimension	mm	135×40×32	135×60×32(regular size)

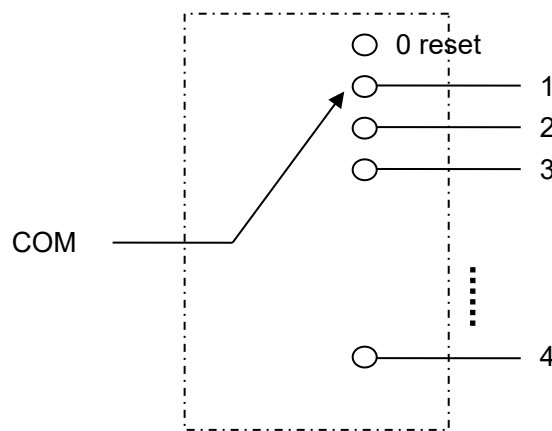
Note: 1.Test at room temperature and SOP.
2.Excluding connectors, 0.2dB for one pair connectors.

Pin Configurations

RS232 DB-9 female connector (max.1*16)

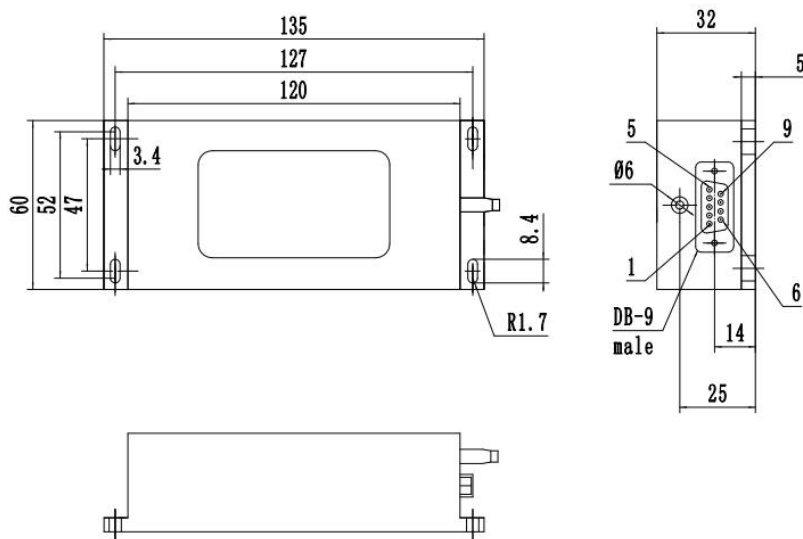
Pin No.	Signal Name	I / O	Description
2	Sout	Output	RS232 data Tx
3	Sin	Input	RS232 data Rx
5	Sgnd	Input	RS232 Ground
8	+5VDC	Input	5.0±5% VDC Power Supply (max 800mA)
9	GND	Input	Ground
1,4,6,7	NA		

Optical Route



Dimension(female head is defined as the actual mark of the element)

➤ **02: 135×60×32-DB9 (N≤16, DB-9 male)**



Ordering Information: GP-7202-1*4L-R-A-B-C-D-E-F-G
Example: GP-7202-1*4L-R-SM-FS-5-90-10-02M-FA

A	B	C	D	E ¹	F	G
Fiber Type	Work Wavelength	Operating Voltage	Tube Type	Fiber Length	Dimension	Connector
SM: SM, 9/125 M5: MM, 50/125 M6: MM, 62.5/125 X: Others	85: 850±40nm O: O band(1260~1360nm) C: C band(1530~1565nm) L: L band(1565~1625nm) U: U band(1625~1675nm) FS: 1260~1650nm	5: 5V	25: 250um 90: 900um 200: 2000um 300: 3000um X: Others	05: 0.5m±0.0 5m 10: 1.0m±0.0 5m 12: 1.2m±0.0 5m 15: 1.5m±0.0 5m X: Others	01x: 135×40×32-D B9 02x: 135×60×32-D B9 X: Others x=F:female M:male	00: None LU: LC/UPC LP: LC/PC LA: LC/APC FU: FC/UPC FP: FC/PC FA: FC/APC SU: SC/UPC SP: SC/PC SA: SC/APC STP: ST/PC STA: ST/APC X: Others
Note: 1.Item E:Fiber Length Excluding connectors.						